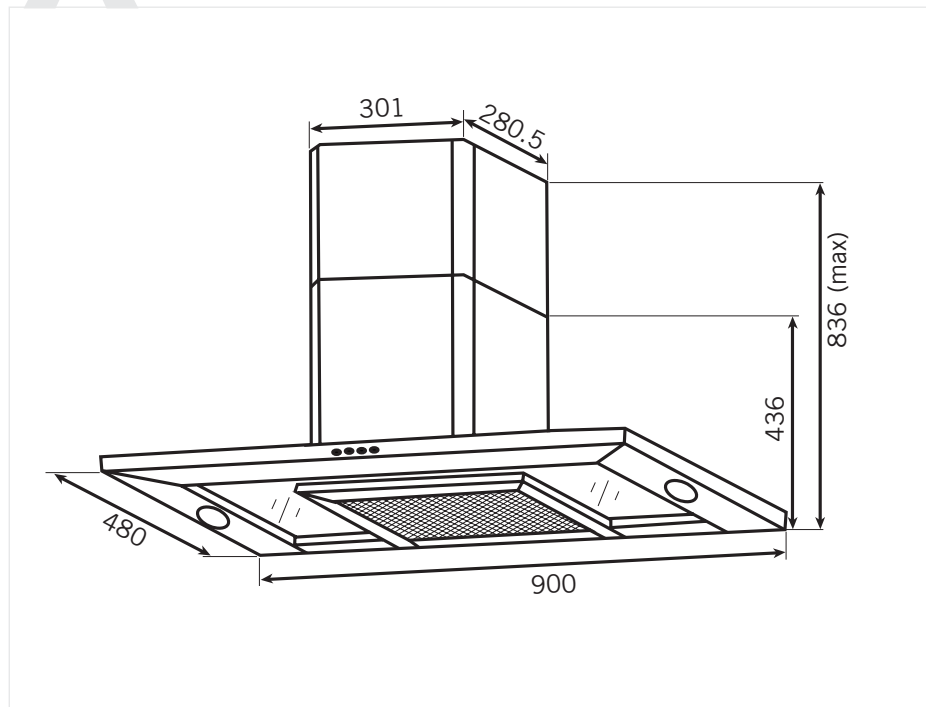




NC698X

NC698X

- 800m³/hr Air Flow
- 2 x Halogen Lamps
- Electronic Switch 3 Speed
- Charcoal Filter
- 836 x 900 x 480 mm (H x W x D)



NC698X / 122005

Exclusive Distributor



APS LIFESTYLE MARKETING PTE LTD

9 Muthuraman Chetty Road, APS Building, Level5, Singapore 238931 • Tel: +65 6233 1333 • Fax: +65 6737 4567 • Email: apsgroup@singnet.com.sg