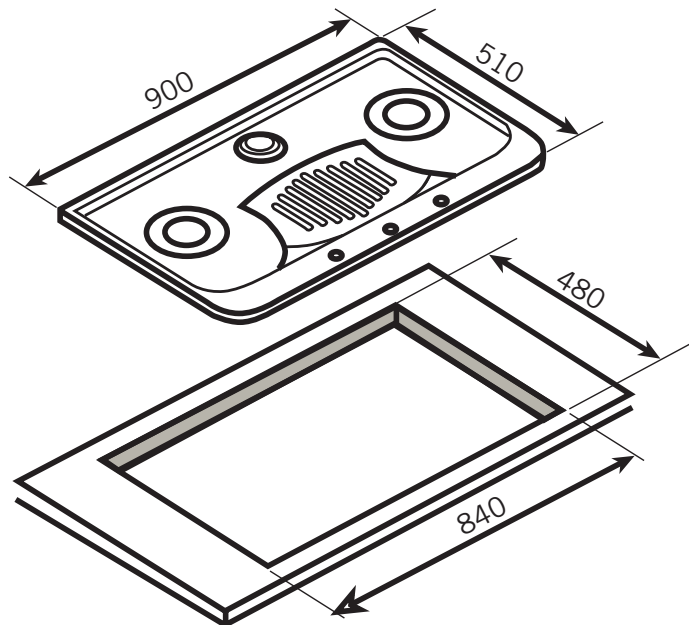




# PF6.3VTCX

## PF6.3VTCX

- 90cm Stainless Steel Hob
- Side Control Knobs
- 3 Cooking Burners Zones:
  - 2 Triple Rings (4.25KW)
  - 1 Semi-fast Burner (1.65KW)
- Auto Ignition with Safety Valve
- Battery Ignition
- Enamelled Grids
- Gas : LPG or CityGas
- 510 x 900 mm (H x W)



PF6.3VTCX / 122005

Exclusive Distributor



**APS LIFESTYLE MARKETING PTE LTD**

9 Muthuraman Chetty Road, APS Building, Level5, Singapore 238931 • Tel: +65 6233 1333 • Fax: +65 6737 4567 • Email: [apsgroup@singnet.com.sg](mailto:apsgroup@singnet.com.sg)