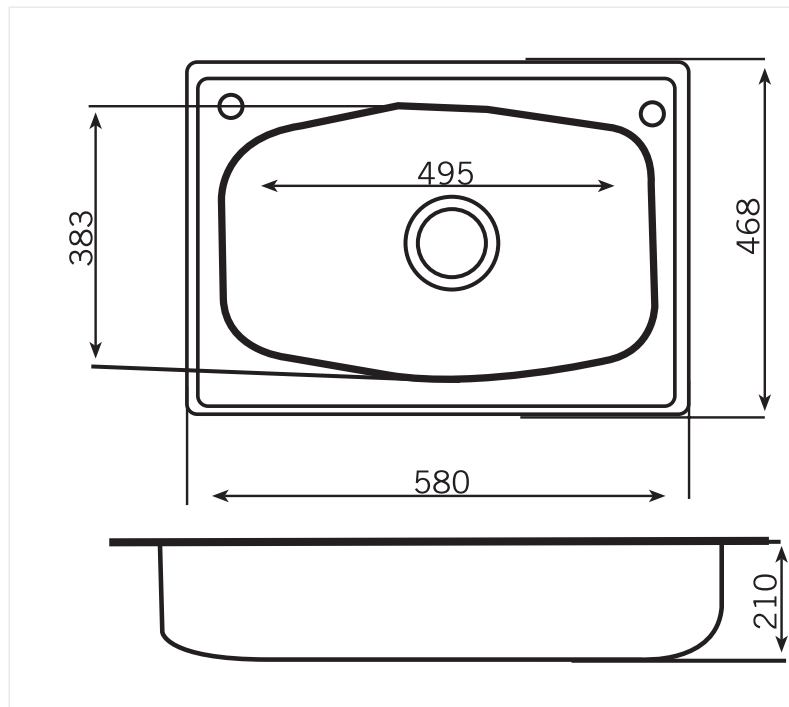




S580

**S580**

- 304 Stainless Steel grade
- 1 piece process
- Satin Polished finishing
- Sweat Proof
- Accessories: Overflow, waste basket and plastic pipe
- Size: 580 x 468 x 210 mm (L x W x H)
- Cut-out Size: 538 x 430 mm (L x W)



S580 / 122005

Exclusive Distributor



**APS LIFESTYLE MARKETING PTE LTD**

9 Muthuraman Chetty Road, APS Building, Level5, Singapore 238931 • Tel: +65 6233 1333 • Fax: +65 6737 4567 • Email: apsgroup@singnet.com.sg